

“NAIL” CABLE TIE MOUNTS TO METAL | NO DRILLING NO ADHESIVES

Fasten wiring to metal instantly and permanently

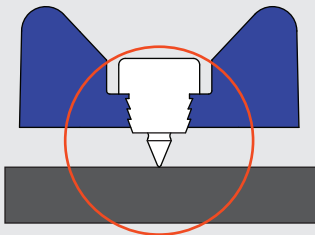
Quickly and permanently fasten cable tie mounts to metal without drilling or any other surface preparation. Just place the TackMount on the tip of a Gripnail pneumatic tool, position and impact directly into the base metal such as steel, aluminum and cast iron. The TackMount is manufactured from a special impact resistance plastic with a pre-inserted hardened steel MetalTack® and are available in white or black. No more drilling holes for screws or surface prepping for adhesives.



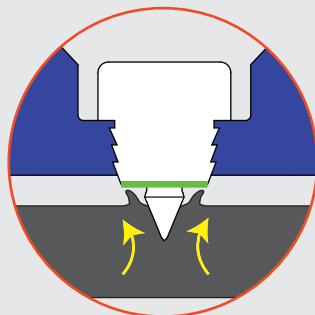
A TackMount permanently fastens to metal surfaces and rotates freely for final alignment.

How The TackMount Works

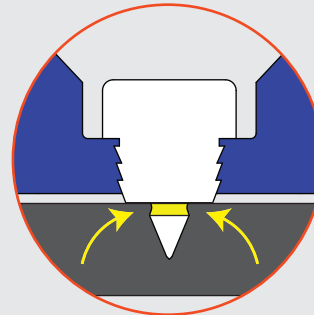
- Name Plate
- Realignment Ring
- Base Metal
- Locking Groove



Position: The TackMount is placed against the base metal, ready to be driven



Drive: Driving the TackMount forces the base metal to form a colvano shape that meets the realignment ring.



Set: When fully driven, the displaced metal is permanently embedded into the locking groove.



(401) 216-7900
www.gripnail.com

Why TackMount

A TackMount forms a quick, permanent, mechanical attachment without the need for any surface preparation. Adhesive fasteners are not always permanent and may require surface cleaning. Screws, bolts and rivets all require a hole in the base material. Creating this hole is time consuming and drill chips may get into electrical connections or mechanical components. A TackMount fastens in a single impact operation.

Material and Corrosion Resistance

TackMount with a standard MetalTack

A standard TackMount is manufactured from a carbon steel MetalTack, and are zinc chromate plated. It will pass a minimum 120-hour salt spray test in accordance with ASTM B117. They may be driven into base metals as hard as HRB90.

TackMount with a stainless steel MetalTack

(Available by special order)

A stainless steel MetalTack is manufactured from a 400 series stainless steel and are not plated. The fasteners have a small amount of carbon and form slight blush rust after exposure to corrosive environments. They can penetrate base metals as hard as HRB90 as well as many grades of stainless steel.

TackMount with a tool steel MetalTack

(Available by special order)

The tool steel MetalTack is manufactured from a special steel alloy that allows them to become harder and tougher than standard fasteners. A tool steel MetalTack can penetrate materials as hard as HRB100. It is also zinc chromate plated for the same corrosion protection as standard tacks.

Ordering Information

TackMounts are sold in a variety of quantity packaging options and are available in both black and white plastics. Install TackMounts with a Flared Tip Driver (Part# 314) and a Gripnail single impact Air Tool (Part# 211).

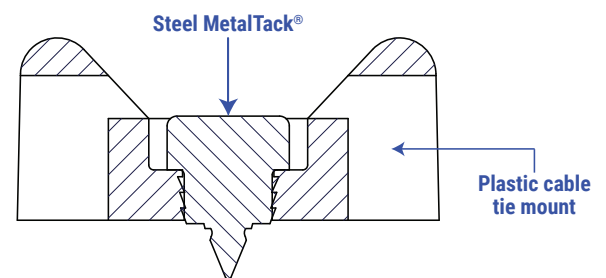
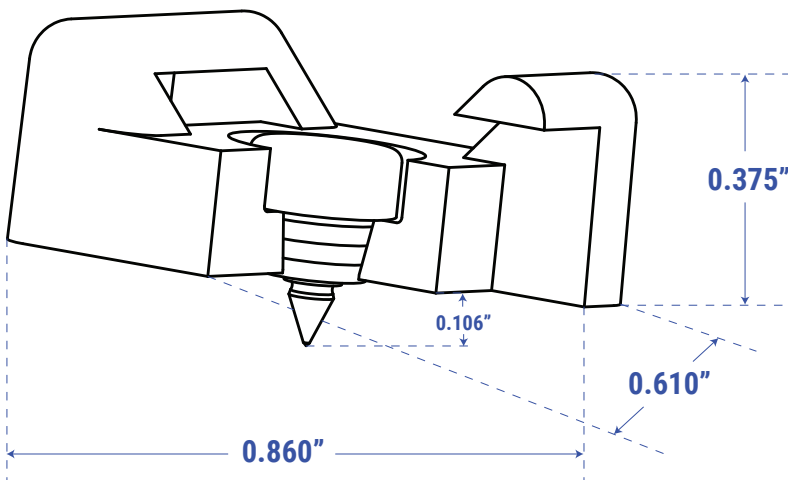
For a full list of part numbers see the Gripnail Fastener Pricing Book.

Nylon Plastic Component

A TackMount is manufactured from a general purpose, high impact resistant, nylon resin.



A Portable, safe, single impact Gripnail 211 Air Tool allows the installation of TackMounts in one operation.



ISO 9001 Certified
Made in the U.S.A.
An Employee Owned Company

97 Dexter Rd, E. Providence, RI 02914
Email: gripnail@gripnail.com
Tel: (401) 216-7900 Fax: (401) 438-8520



www.gripnail.com